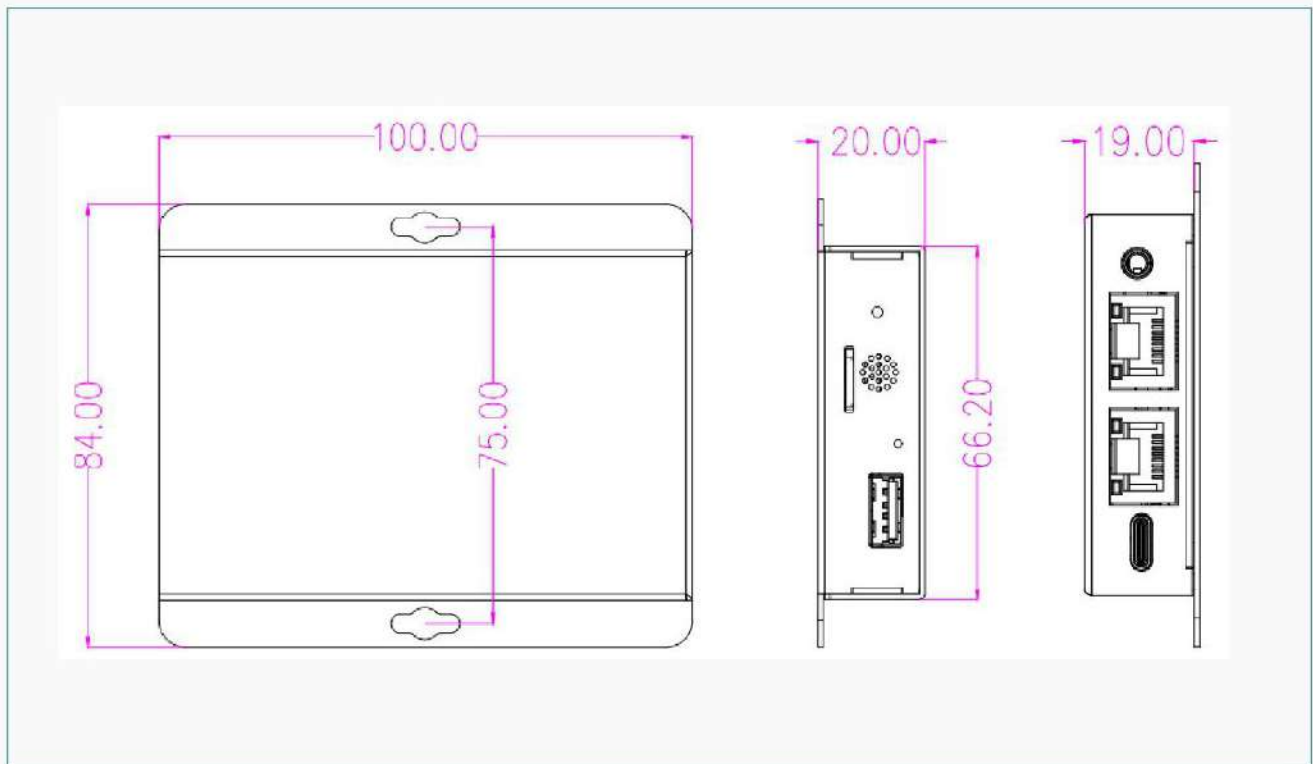


2. Specification

Specification	
SoC	RK3308B (28nm process)
CPU	Quad-core 64-bit ARM Cortex-A35, frequency up to 1.3GHz
RAM	512M DDR3 (128MB ~ 512MB)
Storage	4GB eMMC (4G/8G/16G/32G/64G/128G) Support MicroSD (TF) Card Slot expansion
Hardware Features	
Ethernet	Dual RJ45 Ethernet ports (100M bps)
WiFi	2.4GHz WiFi, support 802.11/b/g/n protocol
Audio	Phone×1(3.5mm) audio output
Interface	Type-C×1 (DC IN / OTG), RJ45×2
Temperature	Operating Temperature : 0°C - 60°C
Power	DC 5V (powered by type-C)
OS / Software	
OS	Ubuntu, Buildroot (Linux/QT)
Appearance	
Size	100 mm x 84 mm x 20 mm

3. PCB Size



4. Interface description

