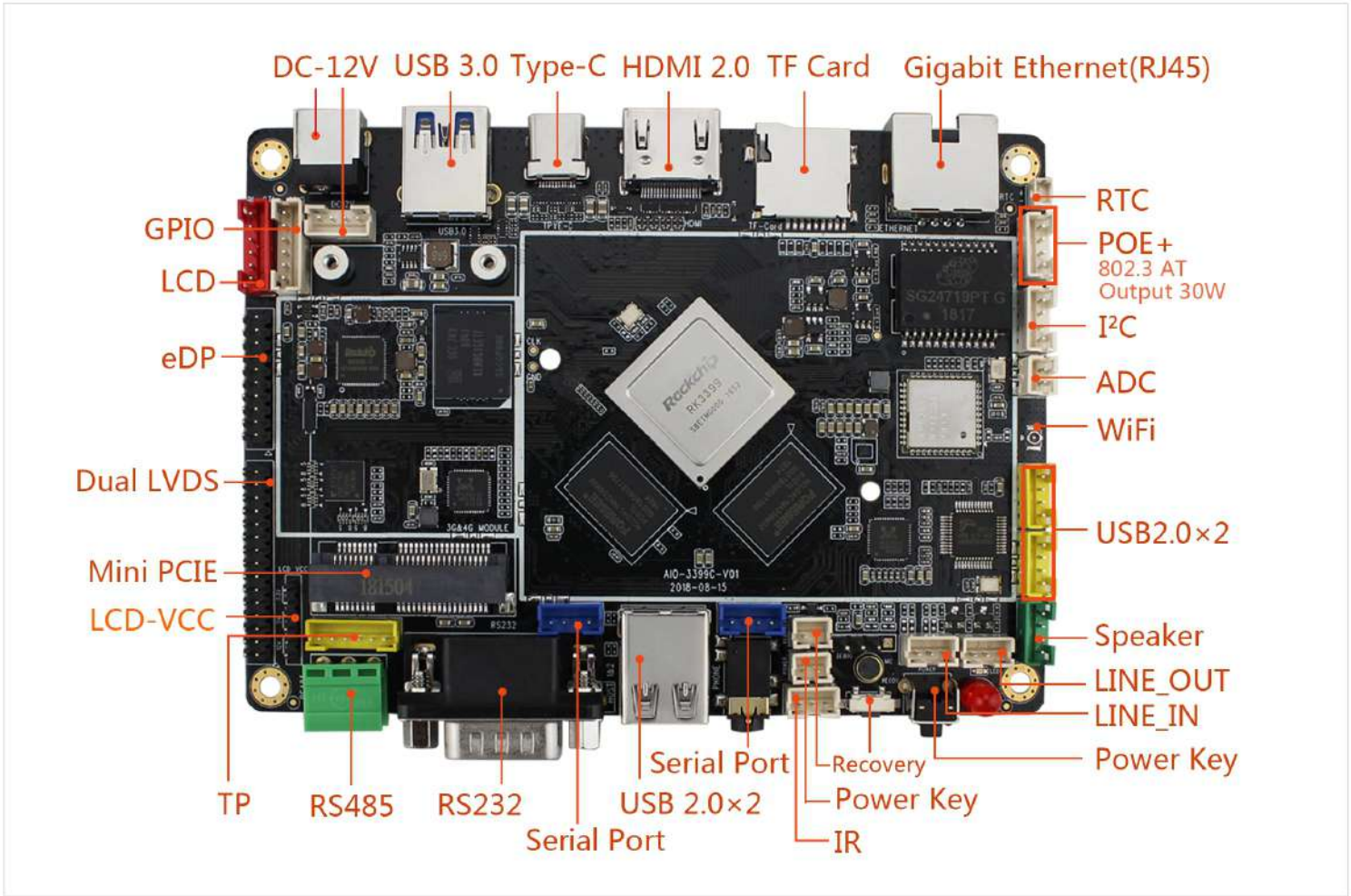
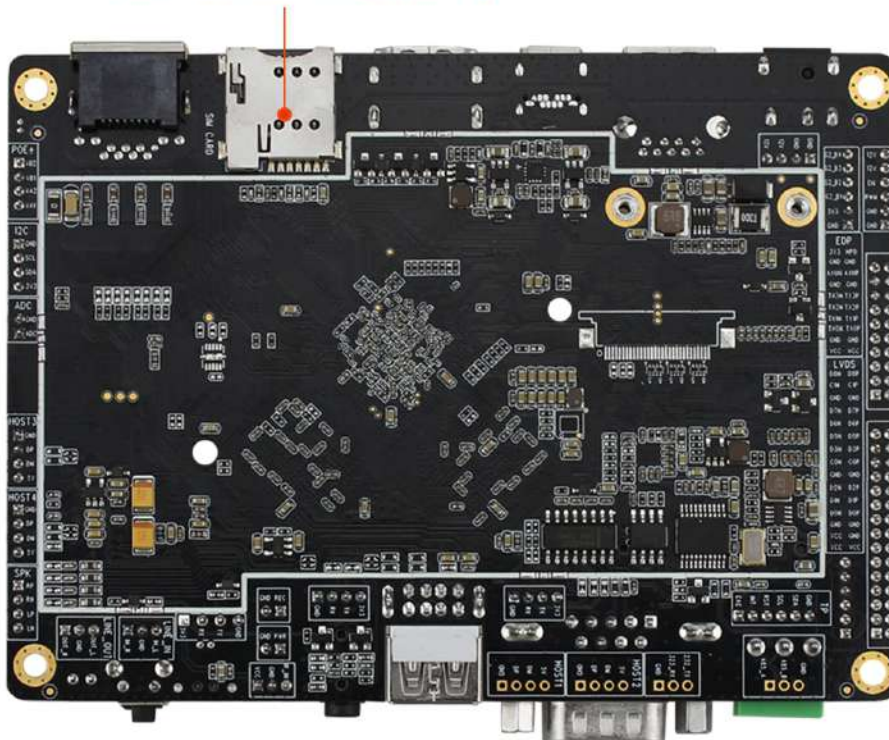


# 1.3 Mainboard Interface



## SIM Card ( MicroSIM )



## 2 Hardware Specifications

### 2.1 Main Specifications

Specification	
CPU	<b>RK3399 , Dual-core(Cortex-A72)+ Quad-core(Cortex-A53), frequency up to 1.8 GHz</b>
GPU	Quad-core ARM Mali-T860 Support OpenGL ES 1.1/2.0 /3.0, OpenVG1.1, OpenCL, Directx11
DDR	2GB / 4GB Dual-channel LP DDR4
Storage	8GB / 16GB High-Speed eMMC, TF Card
Network	Gigabit Ethernet ( RJ45 interface ) On-board WIFI / BT module, support 2.4GHz / 5GHzdual-band WiFi, 802.11a/b/g/n/ac protocol Support Bluetooth 4.1 Mini PCIe ( Used to expand 3G/4G modules, use with Micro SIM card slot )
Multimedia	Support 4K VP9 and 4K 10bits H265/H264 video decoding, up to 60fps 1080P Multi-format video decoding ( VC-1, MPEG-1/2/4, VP8 ) 1080P video encoding, Support H.264, VP8 formats Video post processor: deinterlacing, denoising, edge/ detail/ color optimization
Display	HDMI2.0 support 4K 60Hz display, support HDCP 1.4/2.2 Support DisplayPort 1.2 ( 4 lines, up to 4K 60Hz ) Dual VOP display: Resolution support 4096X2160 and 2560X1600 Support dual-screen identical display/dual-screen differential display Main board Scalable: eDP 1.3 ( 4 lines 10.8Gbps ) , dual LVDS ( 6/8 bit, up to 24-bit 1920×1200 resolution ) Support single channel MIPI DSI, up to 1920x1080 resolution ( Customized board interface )
Other	Support USB3.0 HOST and Type-C interface ADC×1, SPI / GPIO, Controllable LED×2, I <sup>2</sup> C×1, Gravity sensor×1 ( Scalable )
Audio	1xPHONE , 2xSPEAKER ( L/R ) , 1xLINE-IN , 1xLINE-OUT
USB	Type-C ( OTG ) , 1 x USB3.0 , 4 x USB2.0 ( Interface×2 , socket×2 )
Key	Power ( Key×1, socket×1 ) , Recover ( Key×1, socket×1 )
Serial port	<b>RS232×1, RS485×1</b> , Debug serial port×1, Onboard TTL×2
IR	<b>With a one-way infrared receiver, Support infrared remote control</b>
OS	Support Android, Linux system
Power	DC 12V-2A ( DC5.5 × 2.1mm )

## 2.2 Display Performance

Type	Parameter
Screen	10.1 inch IPS screen
Resolution	800 x 1280 Pixel ( 10:16 )
Touch Screen	Capacitive 10-point touch screen
Brightness	200 cd/m2

## 2.3 Visual parameter

Angle	Parameter	Min	Max
$\theta_L$	$\Phi=180^\circ$ ( 9 o' clock )	80	85
$\theta_R$	$\Phi=0^\circ$ ( 3 o' clock )	80	85
$\theta_T$	$\Phi=90^\circ$ ( 12' clock )	80	85
$\theta_B$	$\Phi=270^\circ$ ( 6' clock )	80	85

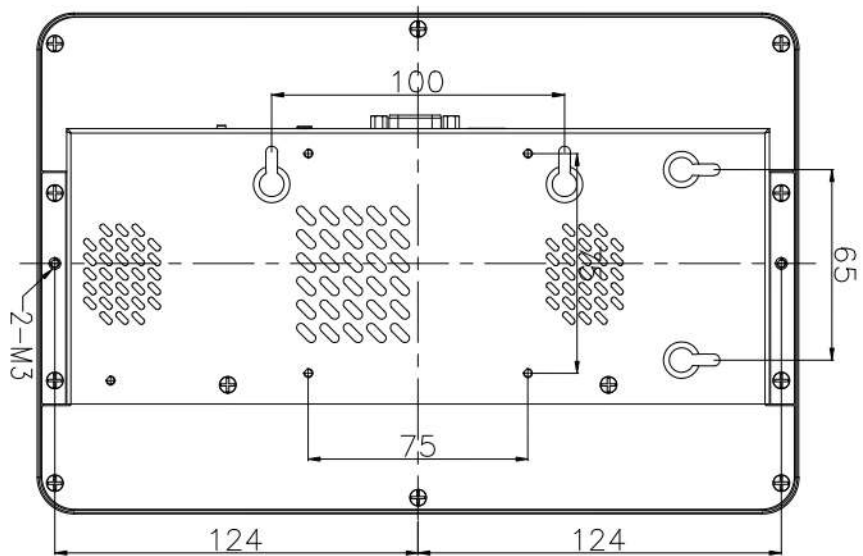
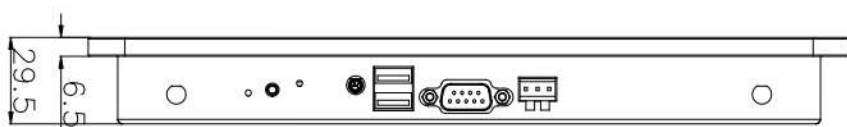
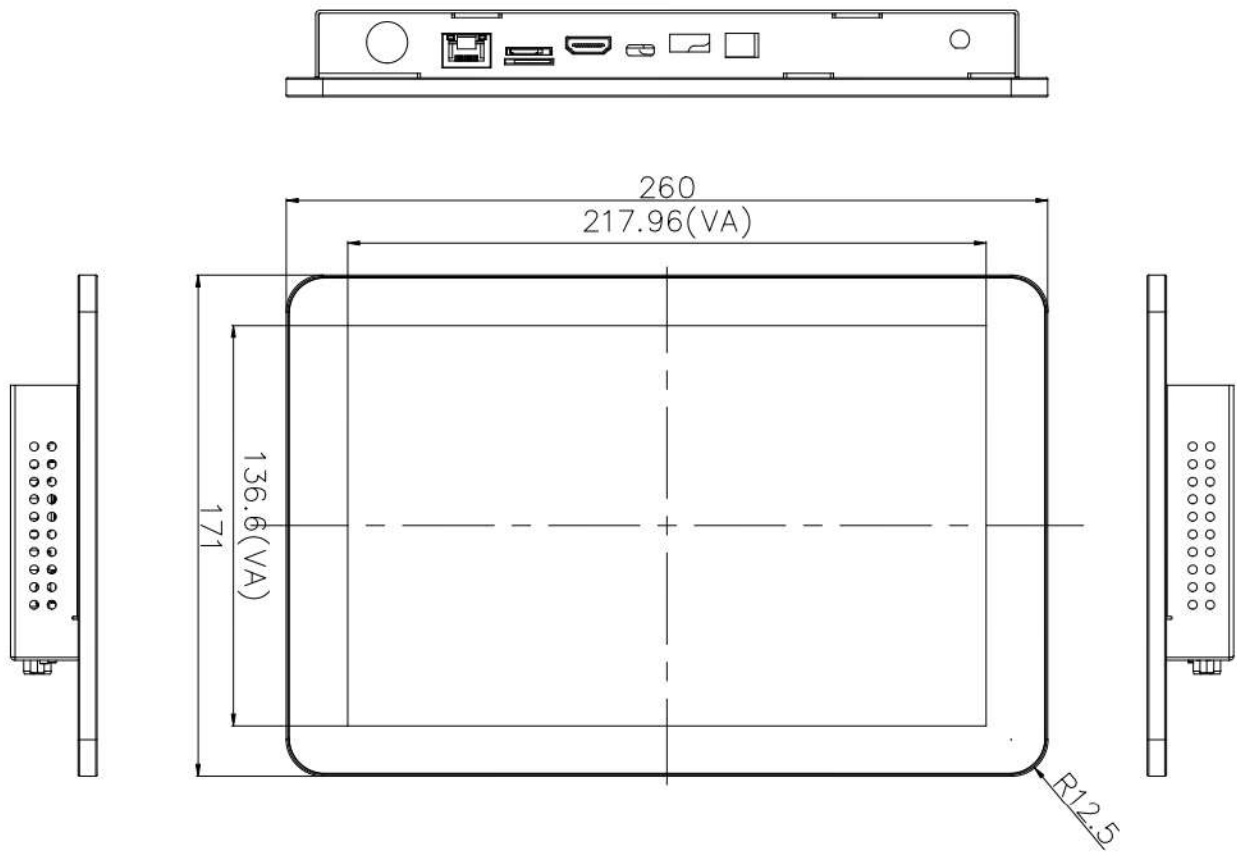
## 2.4 Environmental Parameter

Type	Min	Typical	Max
Operating Temperature	-20 °C	25 °C	60 °C
Storage Temperature	-40 °C	25 °C	125 °C

## 2.5 Appearance Structure

Type	Min
Size	260 x 171 x 29.5 mm

### 3. Size



更改内容

日期

2018.10

10.1 仕様書  
AIO3599C

mm

>A2<



天启智能科技有限公司  
FITRILITY T-CHIP INTELLIGENT TECHNOLOGY CO.,LTD.