

Basic

SOC	RockChip RK3568
CPU	Quad-core 64-bit Cortex-A55 processor, 22nm lithography process, frequency up to 2.0GHz
GPU	ARM G52 2EE Support OpenGL ES 1.1/2.0/3.2, OpenCL 2.0, Vulkan 1.1 Embedded high-performance 2D acceleration hardware
VPU	Video decoding: 4K@60fps H.265/H.264/VP9 Video encoding: 1080P@60fps H.265/H.264
NPU	1Tops@INT8, integrated high-performance AI accelerator RKNN NPU, support one-click switching of Caffe TensorFlow / TFLite / ONNX / PyTorch / Keras / Darknet
RAM	2GB/4GB/8GB LPDDR4
Storage	16GB/32GB/64GB/128GB eMMC 16MB SPI Flash C

Hardware

Wireless	Support 802.11ax (WiFi 6) ,Compatible with 802.11 a/b/g/n/ac protocol Support 2.4GHz, 5GHz dual-band WiFi Support Bluetooth5.0 (BLE)
Ethernet	2×1000M bps (RJ45) LAN (PoE) supports POE+ (802.3 AT, output power 30W) power supply
Video Output	1 × HDMI2.0, support 4K@60Hz output
Audio	1 × HDMI audio output 1 × 3.5mm headset jack 1 × Microphone onboard audio input
USB	2 × USB3.0、 2 × USB 2.0
Button	1 × Power key
Interface	2 × CANFD / CAN, 2 × RS232, 2 × RS485
Power	DC12V (5.5*2.1mm)

Inner Interfaces

Expansion Interface	1 × M.2 PCIe3.0 (NVMe SSD or Cambricon Siyuan 220 M.2 Edge AI NPU) 1 × SATA 3.0 (2.5" SATA SSD/HDD) 1 × M.2 for 5G (or 1 × Mini PCIe for 4G LTE)
SIM	1 × SIM Card Slot

Display

Monitor	10.1" IPS Monitor
Resolution	1280 × 800 (16:10)
Touch Screen	10-point
Brightness	300cd/m ²
Contrast	1000:1
Interface	MIPI (40Pin)
Function	2 megapixel WDR dual-lens camera, microphone

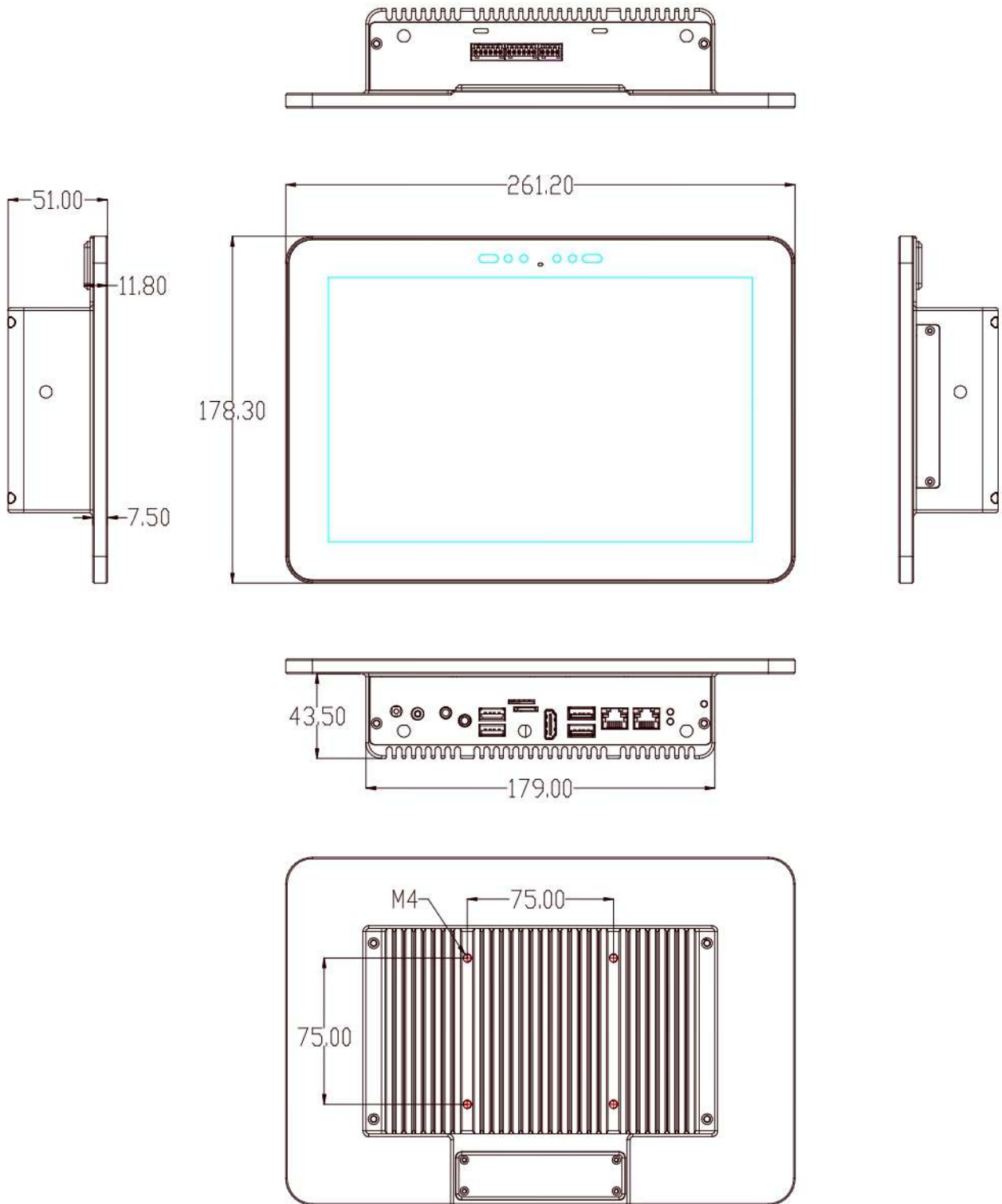
OS/Software

OS	Supports Android 11.0, Ubuntu 18.04
----	-------------------------------------

General

Size	261.2 × 178.3 × 43.5 (mm)
Enclosure	Aluminium alloy
Environment	Operating Temperature: -10℃ - 50℃ Storage Temperature: -20℃ - 60℃ Storage Humidity: 10% ~ 80 %

Dimension



Interface

